

H&S

H D 7+4 TWIN AUGER

Front and Rear

Self-Unloading Forage Box



WARNING READ AND UNDERSTAND THIS MANUAL
BEFORE OPERATING THIS EQUIPMENT.

UNSAFE OPERATION OR MAINTENANCE OF THIS EQUIPMENT CAN RESULT IN
SERIOUS INJURY OR DEATH.

OPERATOR'S MANUAL

and

PARTS LIST

3-23-2007

Manufactured By

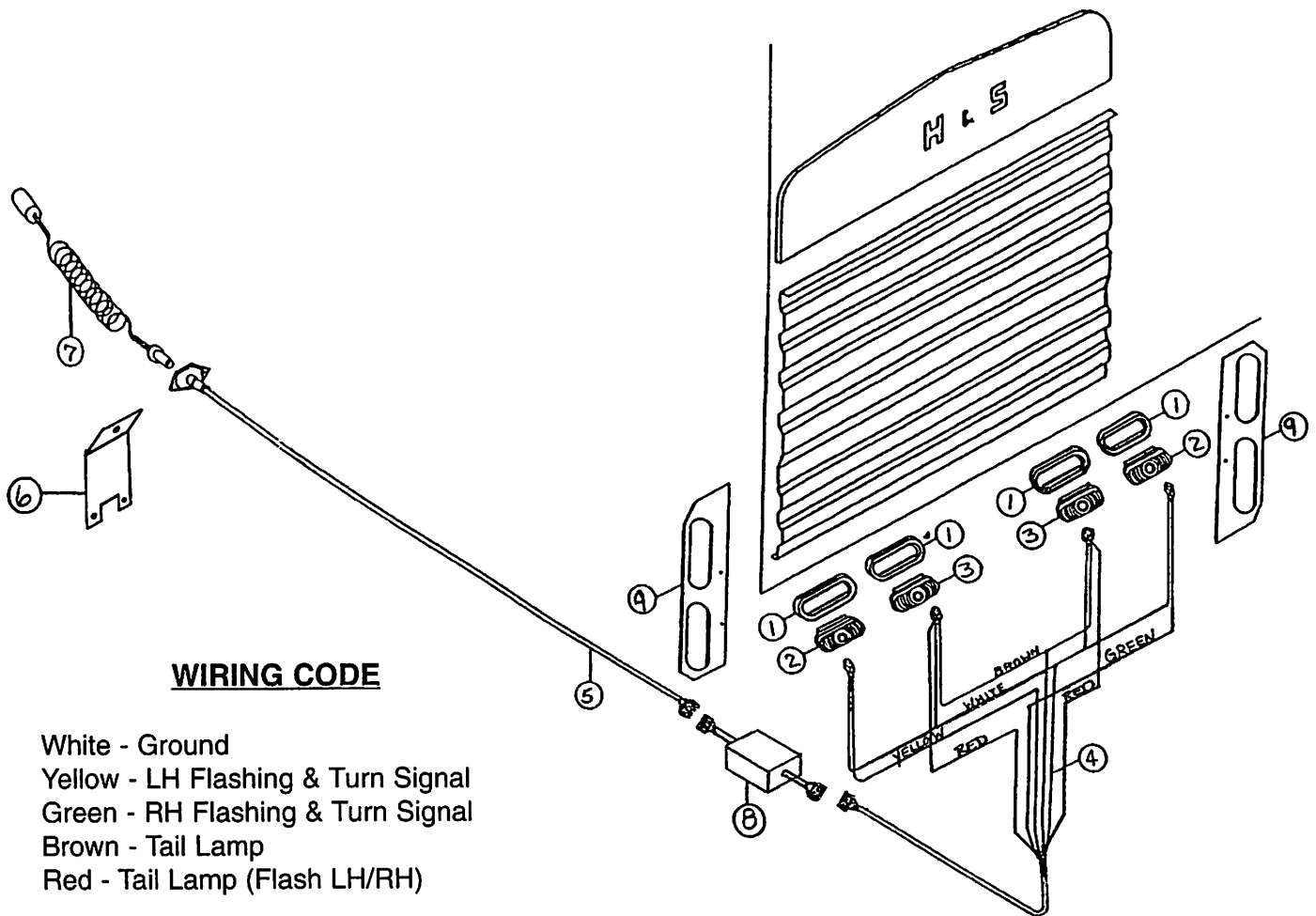
H&S MANUFACTURING CO., INC.

P.O. BOX 768 • (715) 387-3414 FAX (715) 384-5463

MARSHFIELD, WISCONSIN 54449

H&S
H D 7+4 TWIN AUGER
FRONT & REAR SELF-UNLOADING
FORAGE BOX
CONTENTS

Warranty & Warranty Registration Card	1-2
Dealer Pre-Delivery & Delivery Checklist	3
Be Alert Symbol	5
Explanation of Safety Signs	6
Danger - Warning Decals	7-8
Warning - Owner Must Read and Understand	9
Warning - Emergency Stop-Field Operation-Front Unload	10-11
Operation & Adjustments	12-16
Lubrication Guide	16-17
Rear Door Locks-Field Operation-Rear Unload	18-19
Danger - Entering Forage Box	20
PTO Assembly - Standard Slide-Out Extension - Optional Hydraulic Drive	21
Decal Location & Identification	22-23
Instructions for Ordering Parts - About Improvements	24
Figure 1 - Light Assembly - Wiring Code	25
Figure 2 - Housing Components for Units	26-27
Figure 3 - Beaters & Main Apron Drive	28-29
Figure 4 - Augers & Drive Components	30-31
Figure 5 - Shields, Beater Clutch Belt Drive	32-33
Figure 6 - Bevel Gearbox	34-35
Figure 7 - Box Components	36-37
Figure 8 - Rear Unload Assembly	38-39
Figure 9 - Worm Gearbox	40-41
Figure 10 - Tie Down Kit	42
Figure 11 - PTO Parts	43
Figure 12 - Cross Conveyor - Belt Drive	44-45
Figure 13 - Optional Hydraulic Drive	46
SPECIFICATIONS	INSIDE BACK COVER



WIRING CODE

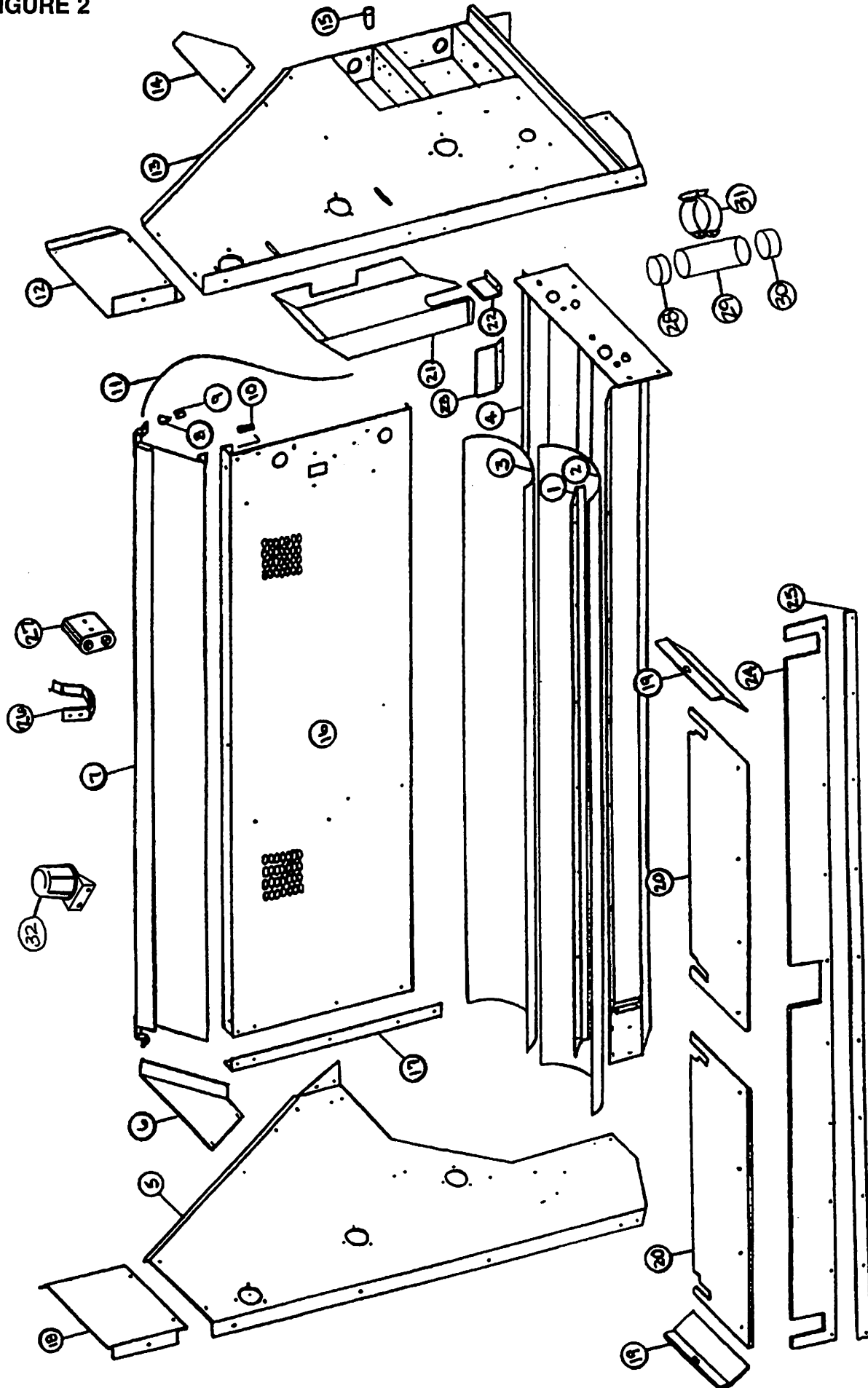
- White - Ground
- Yellow - LH Flashing & Turn Signal
- Green - RH Flashing & Turn Signal
- Brown - Tail Lamp
- Red - Tail Lamp (Flash LH/RH)

**FIGURE 1
H D 7+4 TWIN AUGER FRONT & REAR
SELF-UNLOADING FORAGE BOXES
LIGHT ASSEMBLY**

ITEM	PART NO.	DESCRIPTION
1.	S308	Rubber Light Mount
2.	S309	Amber Light
3.	S310	Red Light
4.	PB232	Light Harness (6-WIRE)
5.	S443	16' Longitudinal Cord (4-WIRE)
*	S442	18' Longitudinal Cord (4-WIRE)
*	S439	20' Longitudinal Cord (4-WIRE)
6.	S346	Mounting Bracket
7.	S317	Optional Tractor Cord
8.	S441	Light Module
*	PB239	16' Complete Light Assembly Less Optional Tractor Cord
*	PB240	18' Complete Light Assembly Less Optional Tractor Cord
*	PB241	20' Complete Light Assembly Less Optional Tractor Cord
9.	PB111	Tailight Brackets

NOTE: * (Means Not Shown)

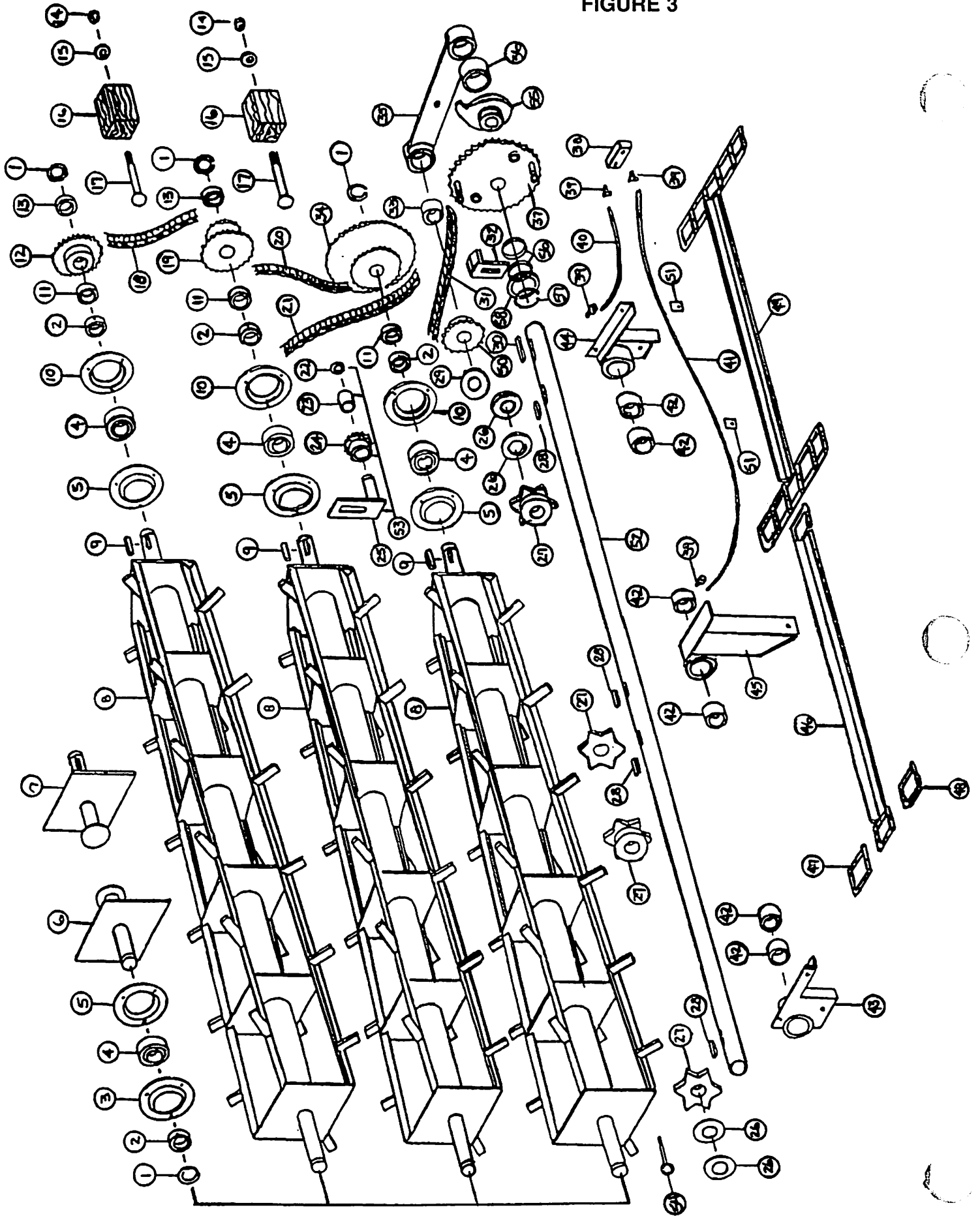
FIGURE 2



**FIGURE 2
HOUSING COMPONENTS FOR UNIT**

ITEM	PART NO.	DESCRIPTION
1.	ST82	Poly Hold Down and Seal Holder
2.	ST2	Poly Liner for Rear Auger
3.	ST3	Poly Liner for Front Auger
4.	ST83	Auger Housing
5.	S4	LH Side Panel
6.	S5	LH Emergency Stop Panel
7.	S370	Emergency Stop Panel
8.	ES14	Thimble (2)
9.	ES15	Cable Clamp (2)
10.	S7	Spring for Emergency Stop
11.	S8	Emergency Stop Cable
12.	S9	RH Side Panel Top
13.	ST5	RH Side Panel
14.	S11	RH Emergency Stop Panel
15.	S12	Gearbox Brace
16.	ST84	Front Main Panel
17.	ST7	LH Front Angle
18.	S3	LH Side Panel Top
19.	S20	Apron Side Spacer
20.	IFB56	Drive Shaft Panel
21.	ST66	Auger Drive Shield
22.	ST9	Auger Chain Shield
23.	ST67	Wiper End
24.	ST306	Rubber Seal
25.	S288	Rubber Seal Strap
26.	PB79	Hydraulic Hose Holder
27.	JB105	Hose Coupling Holder
28.	S414	Cap
29.	S415	Manual Holder Tube
30.	S418	Cap w/Hole
31.	S416	Manuall Hanger Clamp
32.	CHM38	Plug Storage

FIGURE 3

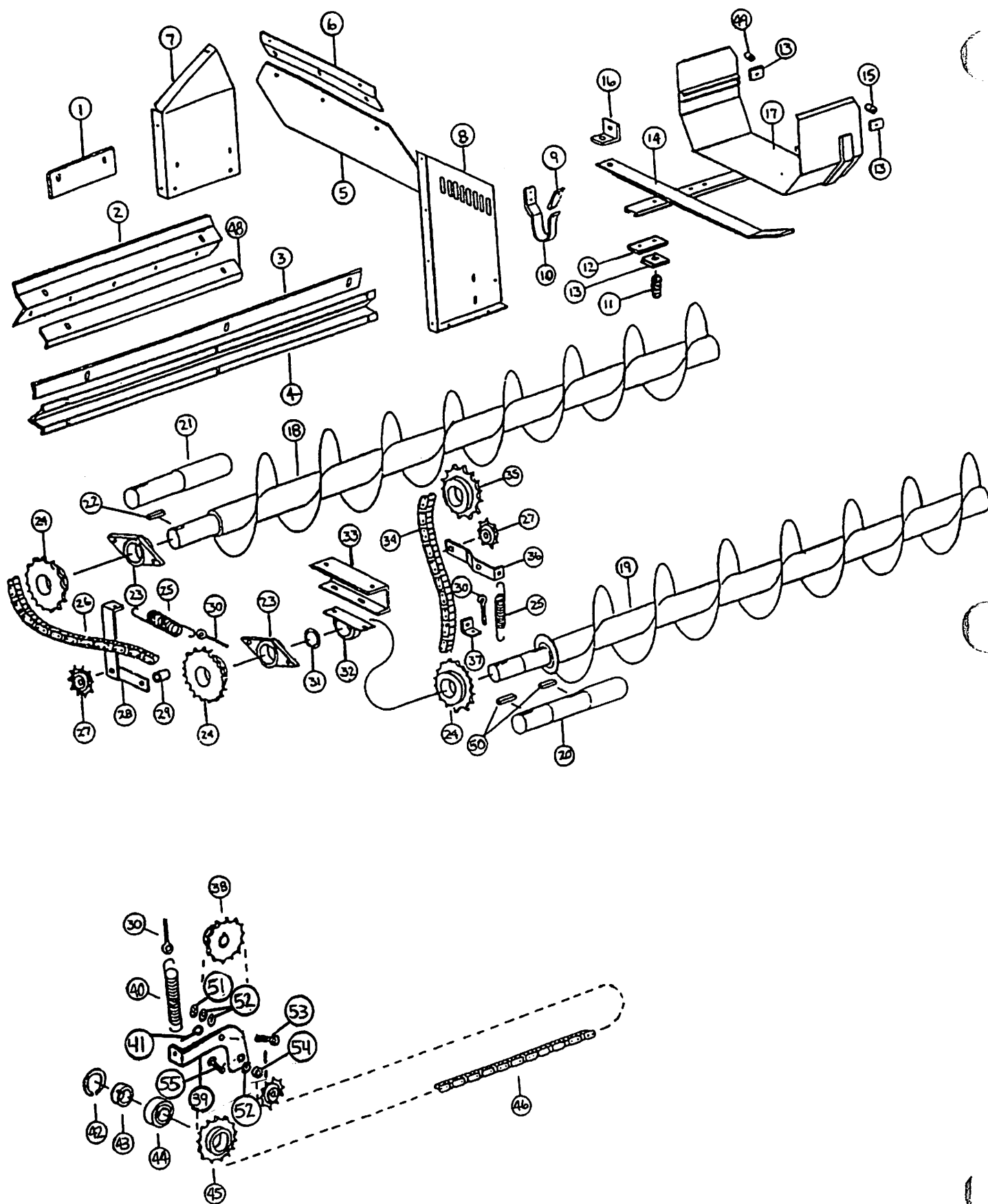


**FIGURE 3
BEATERS AND MAIN APRON DRIVE**

ITEM	PART NO.	DESCRIPTION
1.	F73	Snap Ring
2.	F16	Lock Collar
3.	F114	Bearing Flange w/Zerk
4.	F115	Bearing Greaseable Type
5.	F14	Bearing Flange
6.	S23	LH Beater Stub Shaft
7.	S24	RH Beater Stub Shaft
8.	S25	Beater
9.	G23	5/16" x 1-3/8" Square Key
10.	F114A	Bearing Flange w/Zerk 45 Degree
11.	S218	3/8" Spacer
12.	S26	3rd Beater Sprocket 20T
13.	S219	1/4" Spacer
14.	K60	Nut
15.	X67	Washer
16.	S27	Wood Chain Tightener
17.	S28	Carriage Bolt 3/8" x 3-3/4"
18.	X58	2nd to 3rd Beater Chain 89 Pitches #50
19.	S30	2nd Beater Sprocket 30T - 13T
20.	S31	1st to 2nd Beater Chain 98 Pitches #50
21.	X58	Beater Drive Chain 89 Pitches #50
22.	10R32	Snap Ring
23.	S33	Chain Tightener Bushing
24.	S34	Tightener Sprocket w/Bushing
25.	L10R35	Chain Tightener Bracket
26.	S36	Drive Shaft Spacer
27.	S37	Apron Drive Shaft Sprocket
28.	S436	3/8" x 1-1/2" Square Key
29.	S327	Poly Gearbox Washer
30.	S38	3/8" x 2-3/8" Square Key
31.	ST10	Apron Drive Chain 56 Pitches #80
32.	S40	Chain Tightener
33.	S41	Bushing
34.	S42	1st Beater Sprocket 60T-20T
35.	S43	Drive Shaft Brace
36.	S44	Bushing
37.	PB192	Apron Drive Sprocket 30T
38.	S46	Grease Line Bracket
39.	S47	Grease Line Fitting
40.	S48	Short Grease Line
41.	S49	Long Grease Line
42.	S50	Drive Shaft Bushing
43.	S51	LH Drive Shaft Bracket
44.	S52	RH Drive Shaft Bracket
45.	S53	Center Bearing Bracket
46.	S233	667H Pintle Slat with Attachment Links
47.	11S51	667H Pintle Connector Link
48.	11S50	667H Pintle Attachment Link RH or LH
49.	S324	667H Complete Pintle Apron 16'
*	S325	667H Complete Pintle Apron 18'
*	S326	667H Complete Pintle Apron 20'
50.	ST11	Worm Gear Shaft Sprocket 13T
*	S66	Slow Down Sprocket 11T
51.	S67	Grease Line Clip
52.	S68	Main Apron Drive Chain
53.	S216	Chain Tightener Assembly
54.	BFR319	"I"-Bolt 3/8" x 2-1/2"
55.	PB117	Front Clutch Dog
56.	PB135	Bushing
57.	23N227	Snap Ring
58.	PB126	Clutch Sprocket Washer

NOTE: * (Means Not Shown)

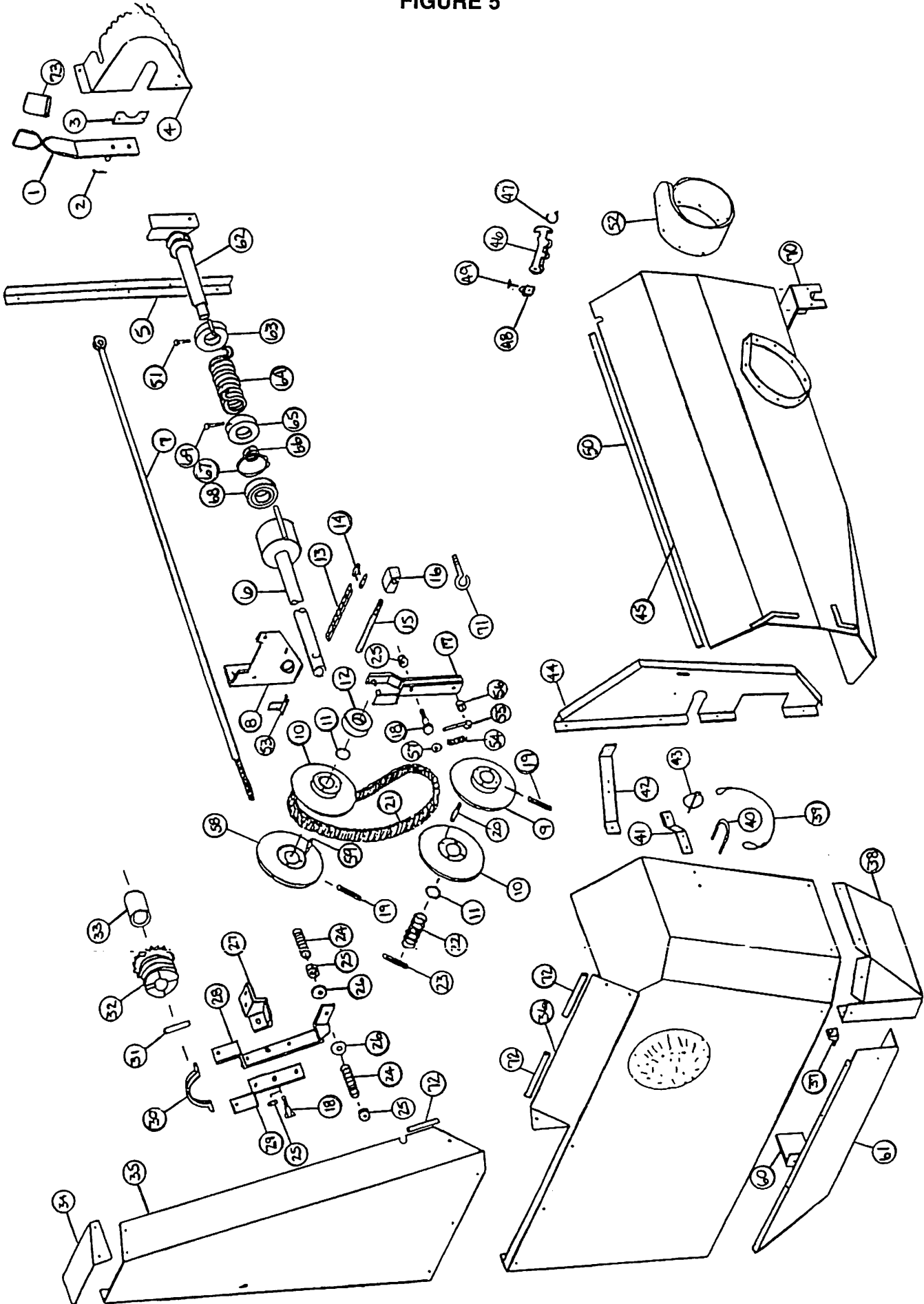
FIGURE 4



**FIGURE 4
AUGERS AND DRIVE COMPONENTS**

ITEM	PART NO.	DESCRIPTION
1.	ST68	Poly Hold Down
2.	ST69	Auger Center Wiper
3.	X83	Wiper Blade
4.	ST14	Front Wiper Blade Holder
5.	ST15	Poly Shield
6.	ST16	Poly Shield Bracket
7.	ST17	Extension Panel Rear
8.	ST18	Extension Panel Front
9.	S78	PTO Holder Rubber Tab
10.	S354	PTO Holder
11.	S7	Spring
12.	ST19	Bottom Poly Slide
13.	ST20	Poly Slide
14.	ST21	Handle for Extension
15.	ST81	Spacer
16.	ST22	Angle
17.	ST23	Extension Shell
18.	ST24	Rear Auger
19.	ST25	Front Auger
20.	ST26	Front Auger Stub Shaft
21.	ST27	Rear Auger Stub Shaft
22.	G23	5/16" x 1-3/8" Key
23.	12N29	Bearing
24.	ST28	Sprocket
25.	R27	Spring
26.	ST29	#50 Roller Chain 61 Pitch
27.	K101	Tightener Sprocket
28.	ST30	Tightener Bracket
29.	* L12R22	Spacer
30.	- ES10	5/16" x 3" I-Bolt
31.	F73	Snap Ring
32.	12N36	Bearing Assembly
	12N33	Bearing
	12N34	Bearing Cover
	12N35	Bearing Holder
33.	ST63	Auger Bearing Bracket
34.	X58	#50 Roller Chain 89 Pitch
35.	ST59	Sprocket 20T
36.	ST32	Tightener Bracket
37.	ST33	Angle
38.	S82	24T Sprocket
39.	S459	Tightener Bracket
40.	ST36	Spring
41.	K79	I-Bolt
42.	K92	Snap Ring
43.	4C9	Lock Collar
44.	K90	Bearing
45.	K89	Idler Sprocket 20T
46.	ST85	#50 Roller Chain 183 Pitch
48.	ST72	Center Wiper
49.	ST77	3/8" Spacer
NOT SHOWN	X60	#50 Offset Link
NOT SHOWN	X61	#50 Connector Link
50.	WM121	Square Key 5/16" x 1"
51.	A34	Washer 1/2"
52.	S468	Washer
53.	16SV126	Counter Sunk Bolt 2"
54.	R65	Spacer 3/8"
55.	S467	Counter Sunk Bolt 2-1/4"

FIGURE 5

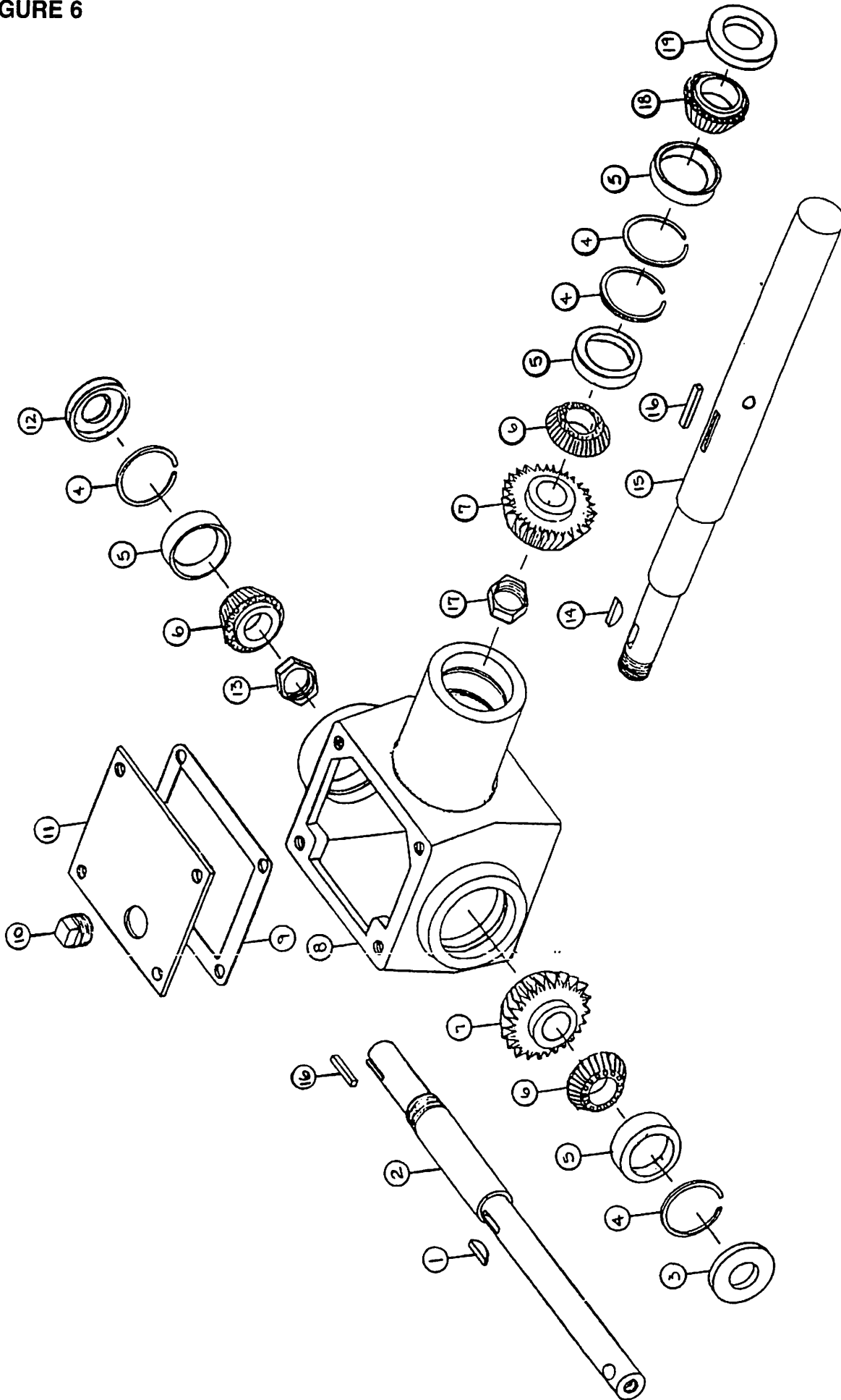


**FIGURE 5
SHIELDS - BEATER CLUTCH - BELT DRIVE**

ITEM	PART NO.	DESCRIPTION	ITEM	PART NO.	DESCRIPTION
1.	S364	Shifter Handle	38.	ST40	Side Shield Bottom
2.	X43	Cotter Pin	39.	S122	Clip Pin Cable
3.	S91	Shifting Pipe Bracket	40.	F32	U-Bolt
4.	S360	Speed Selector Panel	41.	S123	Shield Latch Bracket
5.	S365	Front Center Angle	42.	S234	Shield Brace
6.	S366	Shifting Pipe (Apron)	43.	F56	Clip Pin
7.	S367	Shifting Rod (Beater)	44.	ST86	Front Upright Shield
8.	S96	Shifting Bracket	45.	S334	Front Shield
9.	S97	Stationary Sheave	46.	X192	Front Shield Latch (Rubber)
10.	S295	Sliding Sheave	47.	X193	Latch Catch Bracket
11.	S99	O-Ring	48.	X194	Latch Mounting Bracket
12.	S100	Thrust Bearing	49.	X195	Pin
13.	S101	#40 Chain 5 Pitch	50.	S359	Plastic Edging 38"
14.	S102	#40 Connector Link	51.	X111	Bolt 3/8" x 1" GR.5
15.	S103	Linkage Rod	52.	S131	PTO Rubber Shield
16.	S104	Adjustment Block	53.	S221	Spring Shift Bracket
17.	S105	Variable Speed Shifter	54.	S222	Shifting Spring
18.	R10	1/2" x 1-1/4" Bolt GR.5	55.	S220	Shifting Spring Rod
19.	S106	5/16" x 2-3/4" Expansion Pin	56.	K94	Spacer
20.	S296	Sheave Pin	57.	T16	1/4" Flat Washer
21.	S108	Variable Speed Belt	58.	S97	Sheave
22.	S109	Spring	59.	S296	Sheave Pin
23.	S110	1/4" x 2" Expansion Pin	60.	ST45	Inside Shield
24.	S111	Spring	61.	ST39	Lower Side Shield
25.	9S17	1/2" Lock Nut	62.	S290	Shifter Pipe Handle End
26.	S285	Beater Clutch Washer	63.	S291	Spring Pin Collar
27.	S112	Beater Clutch Bracket	64.	S292	Spring
28.	S113	Beater Clutch Long Arm	65.	S293	Spring Collar
29.	S114	Beater Clutch Short Arm	66.	4C9	Lock Collar
30.	ST58	Clutch Yoke	67.	K92	Snap Ring
31.	S115	Beater Clutch Pin	68.	K90	Bearing
32.	S116	Beater Clutch Sprocket	69.	17G141	Bolt 3/8" x 1-1/4" GR.5
33.	S117	Beater Clutch Bushing	70.	S346	Light Bracket
34.	S118	Beater Shield Top	71.	BFR319	I-Bolt
35.	S119	Beater Side Shield	72.	S328	Edging 3-1/2"
36.	S120	Main Side Shield	73.	S403	Handle Grip
37.	D58	Shield Angle	*	S368	Complete Shifter

NOTES: * (Means Not Shown)

FIGURE 6



**FIGURE 6
BEVEL GEARBOX**

ITEM	PART NO.	DESCRIPTION
1.	5B10	1/4" x 1" Woodruff Key
2.	ST46	Gearbox Side Shaft
3.	3G9	Seal
4.	3G19	Snap Ring
5.	3G18	Race #15245
6.	3G7	Bearing #15101
7.	3G5	Gear
8.	3G1	Gearbox Housing
9.	3G2	Gearbox Gasket
10.	3G20	Fill Plug
11.	3G3	Cover
12.	3G9	Seal
13.	3G11	Nut
14.	5B10	1/4" x 1" Woodruff Key
15.	S134	Gearbox Front Shaft
16.	S135	1/4" x 1-1/4" Square Key
17.	3G4	Nut
18.	L3G24	Gearbox Bearing #15113
19.	S136	Seal
NOT SHOWN	ST47	Gearbox Complete

FIGURE 7

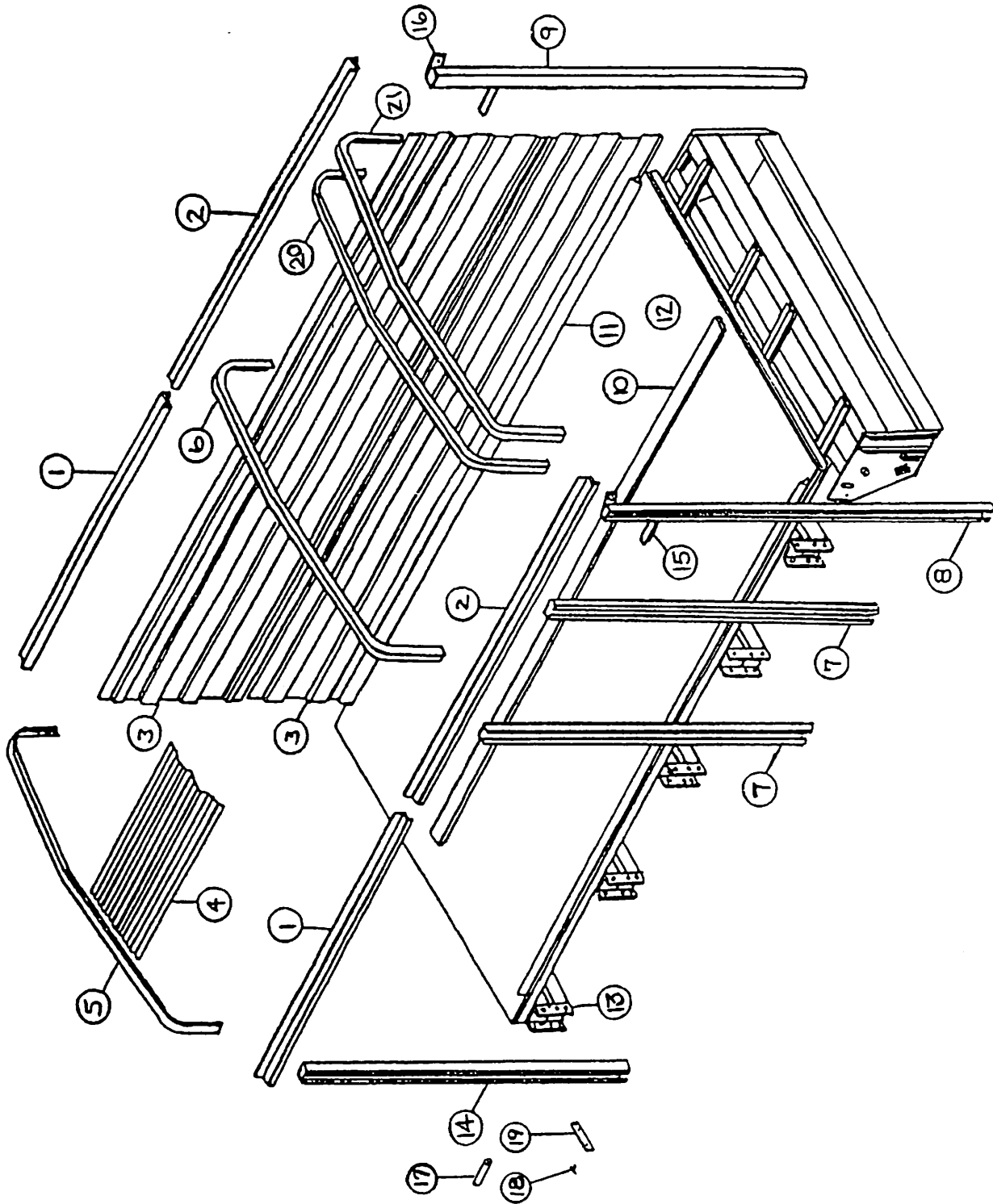
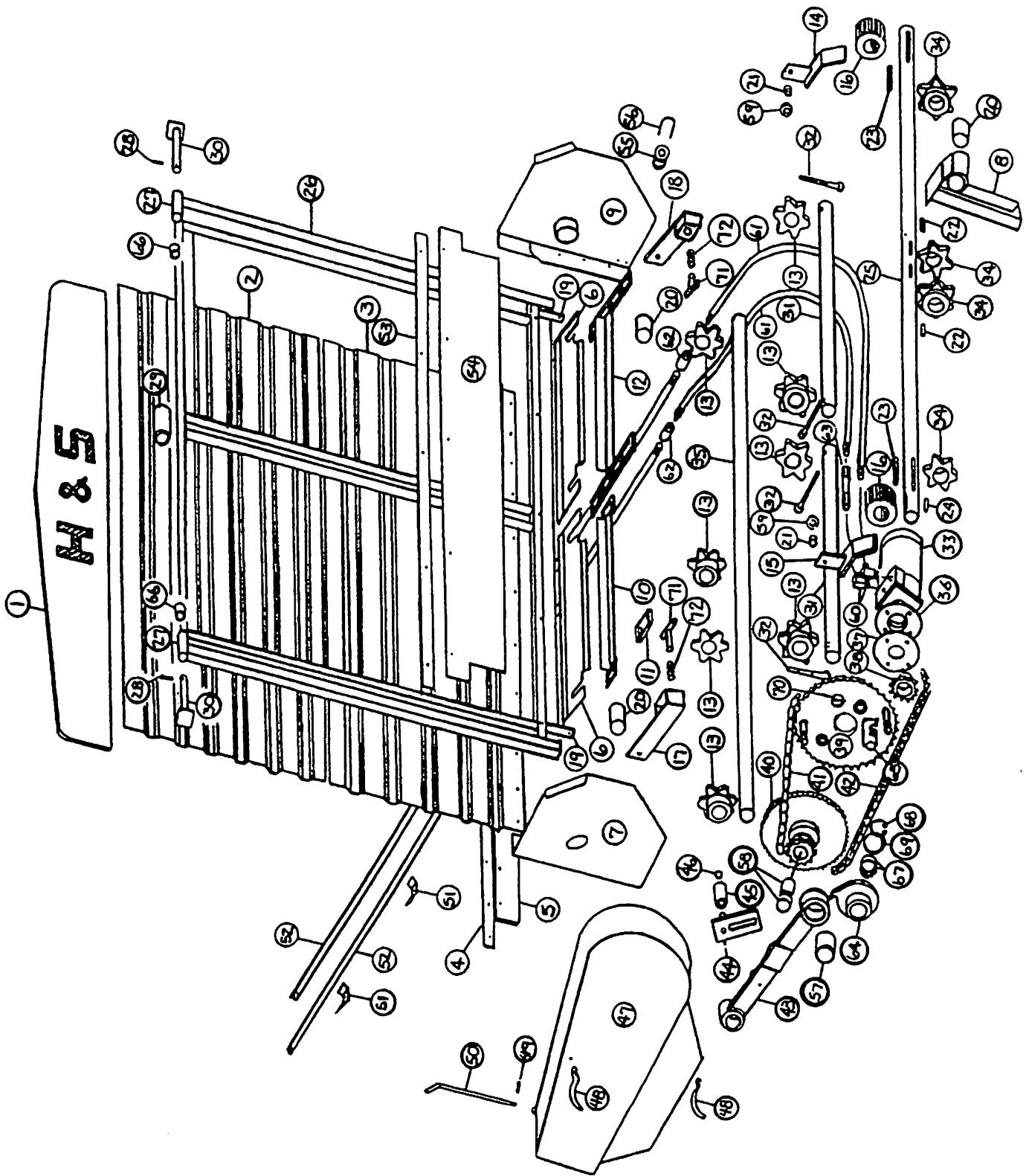


FIGURE 7
7+4 BOX COMPONENTS

ITEM	PART NO.	DESCRIPTION	ITEM	PART NO.	DESCRIPTION
1.	S146	Roof Sill Front Section 16'	9.	PB68	RH Rear Stake
*	S470	Roof Sill Front Section 17'	10.	S514	16' Apron Chain Center Spacer (F&R)
*	S147	Roof Sill Front Section 18'	*	S164	17' Apron Chain Center Spacer (F&R)
*	S471	Roof Sill Front Section 19'	*	S515	18' Apron Chain Center Spacer (F&R)
*	S297	Roof Sill Front Section 20'	*	S427	19' Apron Chain Center Spacer (F&R)
*	S472	Roof Sill Front Section 21'	*	S301	20' Apron Chain Center Spacer (F&R)
*	S502	Roof Sill Front Section 22'	*	S506	21' Apron Chain Center Spacer (F&R)
2.	S143	Roof Sill Back Section 16'	*	S511	22' Apron Chain Center Spacer (F&R)
*	S473	Roof Sill Back Section 17'	11.	S516	16' Apron Chain Side Spacer (F&R)
*	S144	Roof Sill Back Section 18'	*	S167	17' Apron Chain Side Spacer (F&R)
*	S474	Roof Sill Back Section 19'	*	S517	18' Apron Chain Side Spacer (F&R)
*	S298	Roof Sill Back Section 20'	*	S428	19' Apron Chain Side Spacer (F&R)
*	S475	Roof Sill Back Section 21'	*	S302	20' Apron Chain Side Spacer (F&R)
*	S503	Roof Sill Back Section 22'	*	S507	21' Apron Chain Side Spacer (F&R)
3.	S149	16' Side Steel	*	S512	22' Apron Chain Side Spacer (F&R)
*	S476	17' Side Steel	12.	S518	16' Floor Assembly (F&R)
*	S150	18' Side Steel	*	S170	17' Floor Assembly (F&R)
*	S477	19' Side Steel	*	S519	18' Floor Assembly (F&R)
*	S299	20' Side Steel	*	S429	19' Floor Assembly (F&R)
*	S478	21' Side Steel	*	S303	20' Floor Assembly (F&R)
*	S504	22' Side Steel	*	S508	21' Floor Assembly (F&R)
4.	S152	16' Roof Steel	*	S513	22' Floor Assembly (F&R)
*	S479	17' Roof Steel	13.	S268	Stake Pockets
*	S153	18' Roof Steel	14.	ST48	Front Stake
*	S480	19' Roof Steel	15.	PB106	Brace
*	S300	20' Roof Steel	16.	PB12	Door Hinge Bracket
*	S481	21' Roof Steel	17.	ST55	Stake Spacer
*	S505	22' Roof Steel	18.	ST57	Plastic Grommet for Cable
5.	ST61	Front Branch Guard (16'-18'-20')	19.	ST56	Cable Bracket
5A.	S482	Front Branch Guard (17'-19'-21')	20.	S236	Rear Roof Support (16'-18'-20') (F&R)
6.	ST60	Roof Support (16'-18'-20')	20A.	S500	Rear Roof Support (17'-19'-21') (F&R)
6A.	S483	Roof Support (17'-19'-21')	21.	S520	Rear Branch Guard (16'-18'-20') (F&R)
7.	ST49	Side Stake	21A.	S501	Rear Branch Guard (17'-19'-21') (F&R)
8.	PB140	LH Rear Stake			

NOTE: * (Means Not Shown)

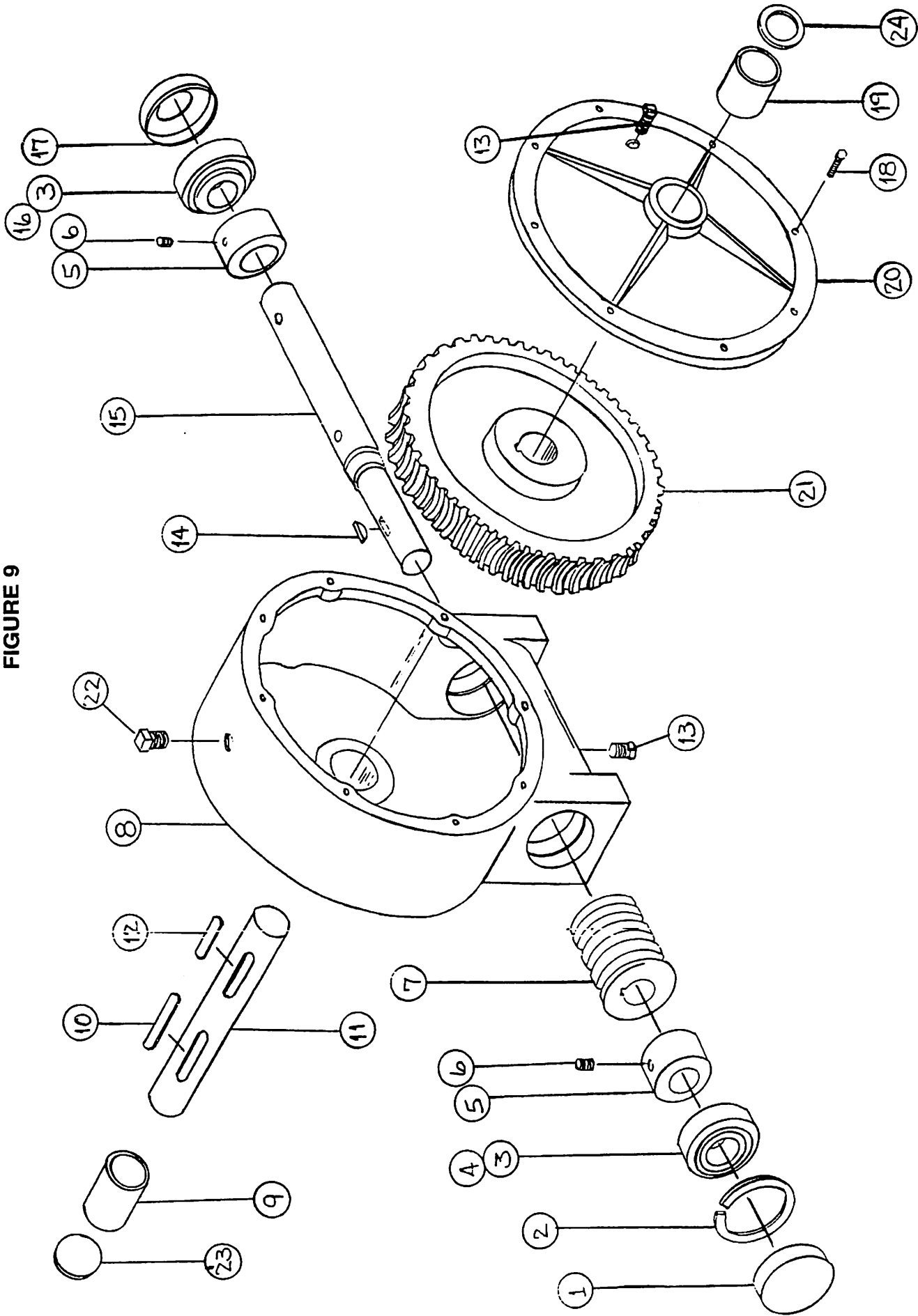
FIGURE 8



**FIGURE 8
REAR UNLOAD ASSEMBLY**

ITEM	PART NO.	DESCRIPTION	ITEM	PART NO.	DESCRIPTION
1.	PB72	Back Door Top Panel	37.	PB92	Hydraulic Motor Mount
2.	PB23	Back Door Top Steel	38.	4C4	13T Sprocket
3.	PB24	Back Door Bottom Steel	39.	PB193	52T Sprocket
4.	S288	Seal Strap	40.	PB95	11T-84T Sprocket
5.	PB54	Rubber Seal	41.	PB114	#80 Chain 73 Pitches
6.	PB74	Drive Shaft Panel	42.	PB97	#50 Chain 90 Pitches
7.	PB80	LH Drive Shaft Mount	43.	PB119	Drive Shaft Brace
8.	PB139	Center Bearing Bracket	44.	17G69	Chain Tightener Bracket
9.	PB82	RH Drive Shaft Mount	45.	23N238	Roller Chain Tightener
10.	S233	667H Pintle Slat with Attachment Links	46.	10R32	Snap Ring
11.	11S51	667H Pintle Connector Links	47.	PB138	Rear Shaft Shield
11A.	11S50	667H Pintle Attachment Links RH or LH	48.	S192	Handle Nuts
12.	S324	667H Complete Pintle Apron 16'	49.	T37	Cotter Pin
*	S325	667H Complete Pintle Apron 18'	50.	PB100	Hinge Pin
12.	S326	667H Complete Pintle Apron 20'	51.	23N67	Hose Holder
13.	S60	Idler Shaft Sprockets	52.	PB101	Hydraulic Pipe 16'
14.	PB57	Latch Bracket RH -	*	PB18	Hydraulic Pipe 18'
15.	PB58	Latch Bracket LH .	*	PB102	Hydraulic Pipe 20'
16.	PB83	Latch Sprocket	53.	PB103	Poly Shield Strap
17.	IFB58	Rear Door Lock Latch LH	54.	PB104	Poly Shield
18.	IFB57	Rear Door Lock Latch RH	55.	F33	Cable Guide
19.	PB60	Latch Plate	56.	F32	U-Bolt
20.	23N17	Bushing 1-3/4" OD x 1-1/2" ID x 2-1/2"	57.	PB134	Bushing 2-1/2" OD x 2-1/4" ID x 1" Long
21.	PB61	Latch Pivot	58.	PB108	Bushing 1-1/2" OD x 1-1/4" ID x 1-3/4"
22.	PB87	Key 3/8" x 2" Square	59.	A34	Latch Washer
23.	PB133	Key 3/8" x 4-3/8" Square	60.	HE58	Elbow
24.	PB136	Key 3/8" x 2" Sq. w/Hardened Ends	61.	PB41	Hydraulic Hose 1/2" x 60"
25.	PB194	Drive Shaft	62.	PB105	1/2" Pipe Coupling
26.	PB73	Back Door Framework	63.	DF18	Check Valve
27.	PB65	Hinge Pin	64.	PB118	Rear Clutch Dog
28.	3G22	Expansion Pin	65.	PB191	Clutch Pin
29.	PB66	Guard	66.	PB130	Collar
30.	PB129	Hinge Pin	67.	PB135	Bushing
31.	PB89	Tightener Shafts	68.	23N227	Snap Ring
32.	A7	Idler Bolt 9"	69.	PB126	Clutch Sprocket Washer
33.	DF1	Hydraulic Motor	70.	PB190	Lynch Pin
34.	23N122	Drive Shaft Sprockets	71.	IFB109	Door Latch Pin
35.	PB90	Inside Idler Shaft	72.	IFB110	Door Latch Spring
36.	PB91	Hydraulic Motor Mount Spacer	NOTE: * (Means Not Shown)		

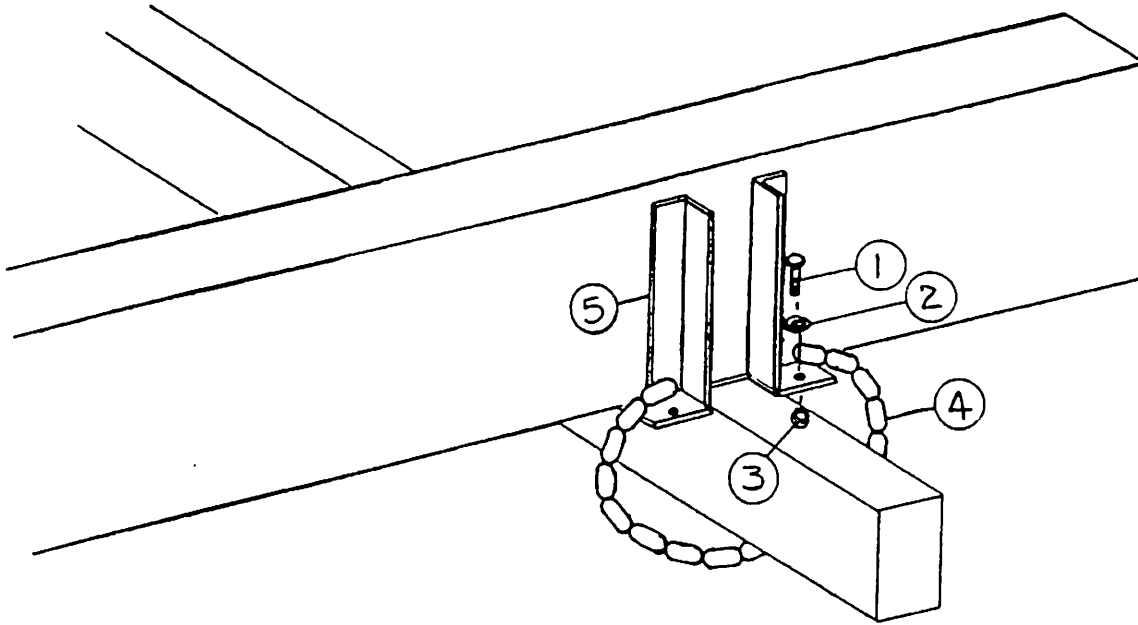
FIGURE 9



**FIGURE 9
WORM GEARBOX**

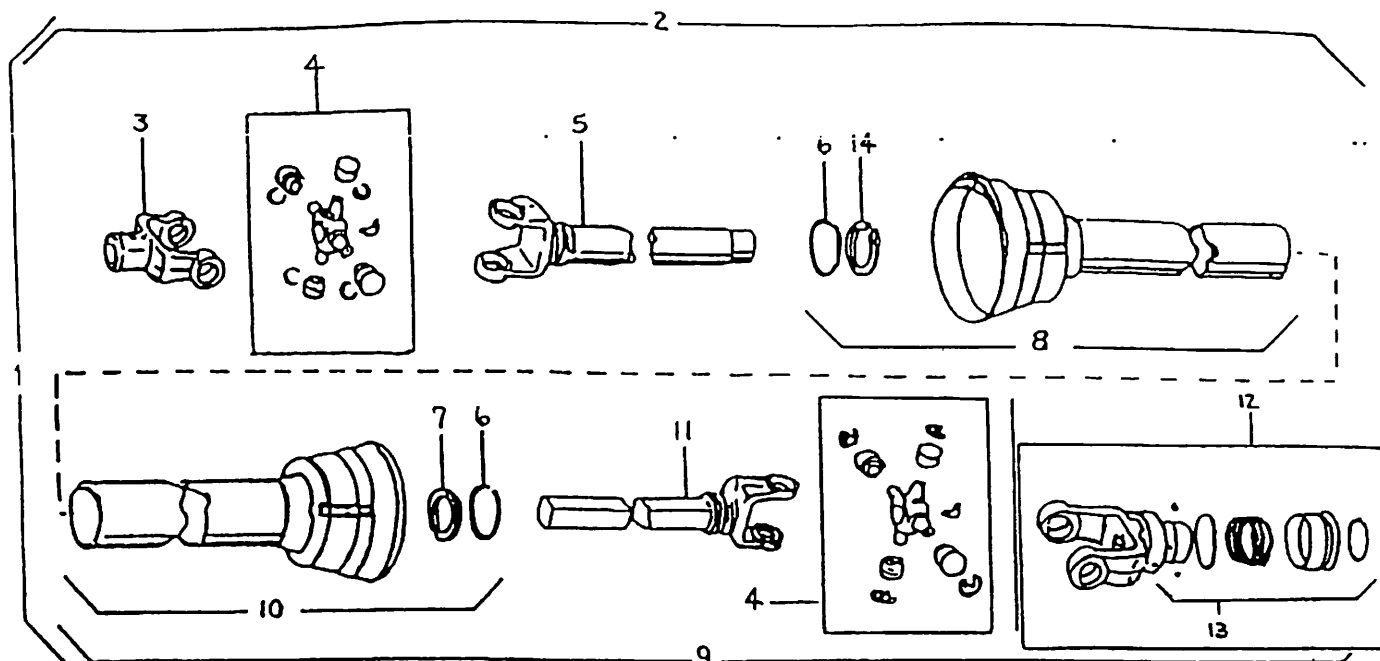
ITEM	PART NO.	DESCRIPTION
1.	G90	Dust Cap
2.	3G19	Snap Ring
3.	3G18	Race #15245
4.	3G7	Bearing #15101
5.	X9	Spacer
6.	G83	Set Screw
7.	G76	Worm
8.	G114	Gearbox Housing
9.	X8	Gearbox Bushing
10.	S138	3/8" x 2-3/8" Square Key w/Round Ends
11.	S139	Worm Gear Side Shaft
12.	S437	3/8" x 1-3/8" Square Key w/Round Ends
13.	G65	Plug 3/8"
14.	5B10	1/4" x 1" Woodruff Key
15.	S140	Worm Gear Front Shaft
16.	L3G24	Gearbox Bearing #15113
17.	G115	Seal
18.	G84	Cap Screw
19.	X75	Cover Bushing
20.	G116	Worm Gearbox Cover
21.	G77	Worm Gear
22.	G91	Vent Plug
23.	G117	Cap
24.	G120	Seal 1-7/8"
*	G118	Worm Gearbox Complete

NOTE: * (Means Not Shown)



**FIGURE 10
TIE DOWN KIT**

ITEM	PART NO.	DESCRIPTION
1.	12V45	1/2" x 1-1/2" GR.5 Bolt
2.	K68	1/2" Flat Washer
3.	R11	1/2" Top Lock Nut GR.5
4.	S322	1/4" Chain 30-1/4" Long
5.	S323	Tie Down Bracket
6.	T9B	Tie Down Kit - Complete



**FIGURE 11
PTO PARTS
HD NEEDLE BEARING PTO**

ITEM	PART NO.	DESCRIPTION
1.	S372	PTO Assembly Complete
2.	S373	Machine Half PTO W/Shield
3.	S374	End Yoke - Machine Half
4.	S375	"W" Repair Kit
5.	S376	Yoke and Tube
6.	24N26	Bearing Retainer
7.	S206	Nylon Bearing
8.	S397	Inner Guard Includes Cent. & Item #6 & #14
9.	S377	Tractor Half PTO
10.	S398	Outer Guard Includes Item #6 & #7
11.	S378	Yoke and Shaft
12.	S379	Lock Yoke - Yoke Assembly
13.	S225	Spring Lock Repair Kit
14.	S396	Nylon Bearing
*	S402	Safety Manual

NOTE: * (Means Not Shown)

FIGURE 12

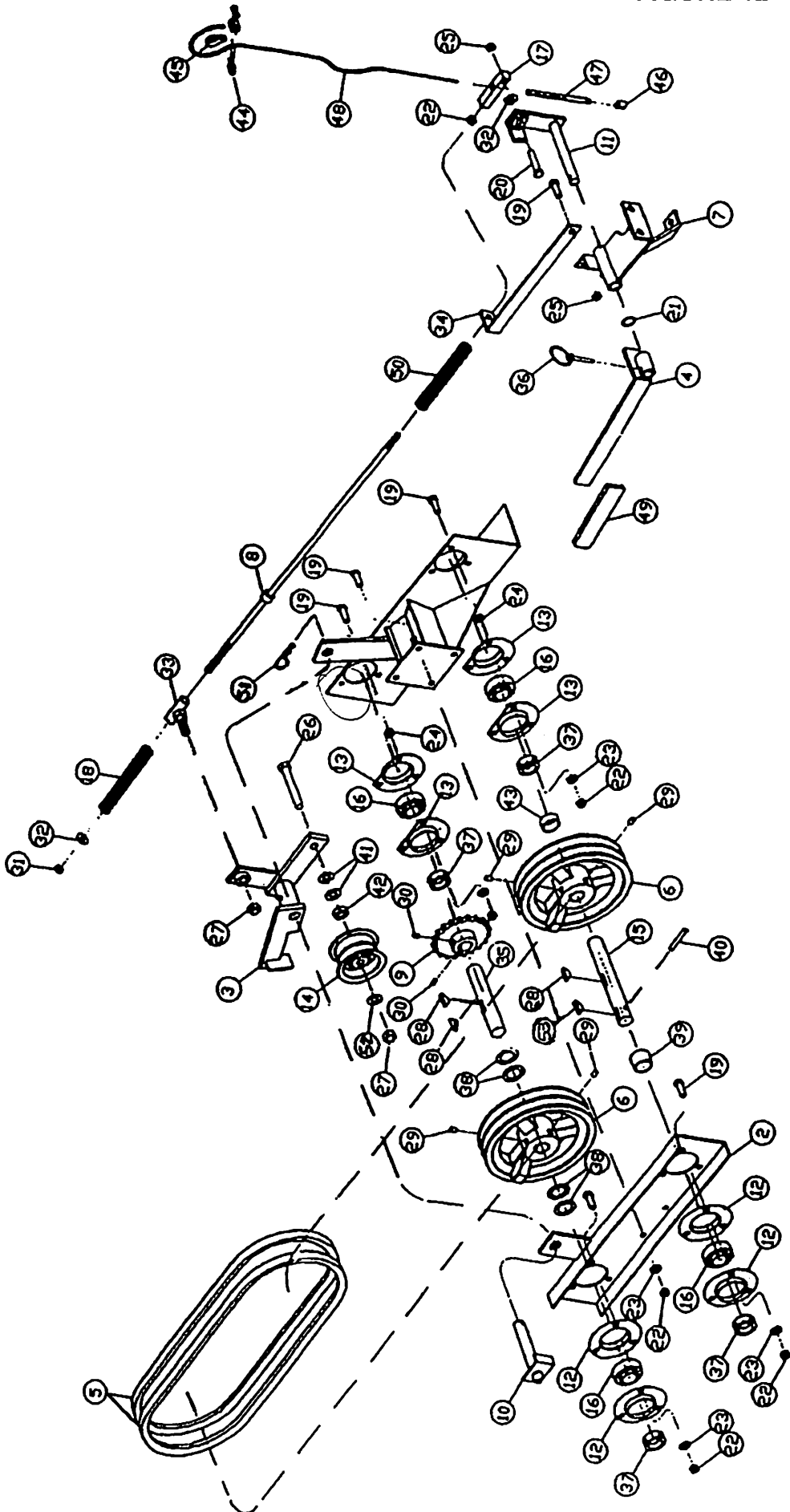
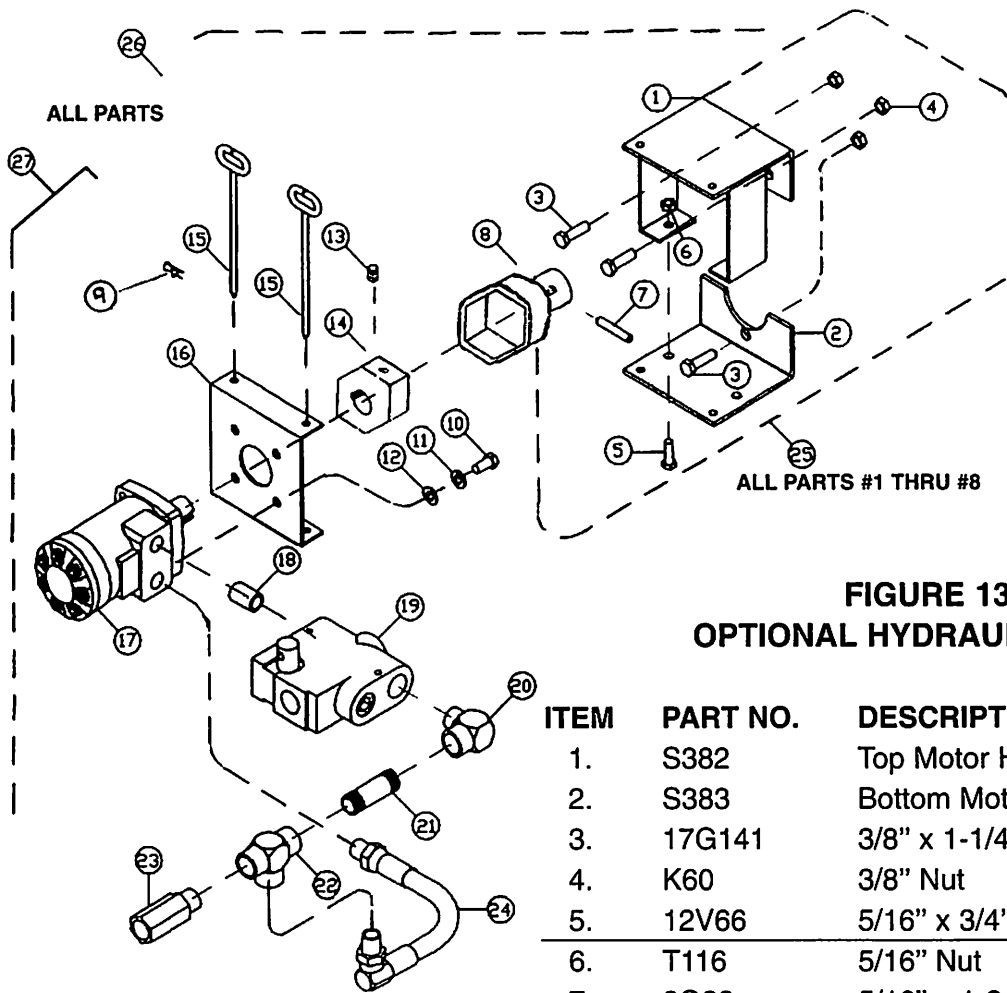


FIGURE 12
CROSS CONVEYOR CLUTCH - BELT DRIVE

ITEM	PART NO.	DESCRIPTION
2.	S335	Front Clutch Plate
3.	S341	Idler - Stop Assembly
4.	S337	Handle Lever
5.	S332	Drive Belt Set
6.	S342	Pulley
7.	S339	Handle Mount
8.	S343	Shifting Rod
9.	11S19	Sprocket 50B20
10.	S340	Tightener Pivot Shaft
11.	S338	Handle Lever
12.	4C7	Bearing Flange
13.	X85	Bearing Flange Sheared
14.	K156	Idler Pulley
15.	S458	Input Pulley Shaft
16.	4C8	Bearing
17.	S347	Shifter Rod End
18.	23N211	Spring 5/8"
19.	X111	3/8" x 1" Bolt GR.5
20.	BFR320	3/8" x 1-3/4" Bolt GR.2
21.	S352	Internal Star Washer
22.	K60	3/8" Nut
23.	B68	3/8" Lockwasher
24.	S355	3/8" Jam Nut
25.	K25	3/8" Locknut
26.	16SV91	1/2" x 3-1/4" Bolt GR.5
27.	R11	1/2" Top Locknut
28.	5B10	1/4" x 1" Woodruff Key
29.	---	3/8" Setscrew
30.	---	5/16" Setscrew
31.	A14	3/8" Nylock Nut
32.	X67	3/8" Flatwasher
33.	S344	Clutch Rod Slide
34.	S348	Spring Bracket
35.	S349	Drive Pulley Shaft
36.	S438	Clip Pin
37.	4C9	Bearing Lock Collar
38.	S345	Spacer (.074)
39.	K99	Spacer, 7/8"
40.	BFR335	5/16" x 2" Expansion Pin
41.	K68	1/2" Lockwasher
42.	X112	Spacer, 9/16"
43.	K106	Spacer, 1/2"
44.	BFR220	Cable Clamp
45.	ES4	Thimble
46.	ES5	Cable Compression Sleeve
47.	S361	Stop Cable Stiffener
48.	S358	Emergency Stop Cable
49.	S362	Handle Lever Grip
50.	S369	Spring, 3/4"
51.	ES7	Hair Pin
52.	R35	1/2" Lock Washer (As Needed)
53.	S135	1/4" x 1-1/4" Square Key



**FIGURE 13
OPTIONAL HYDRAULIC DRIVE**

ITEM	PART NO.	DESCRIPTION
1.	S382	Top Motor Hanger
2.	S383	Bottom Motor Hanger
3.	17G141	3/8" x 1-1/4" Bolt GR.5
4.	K60	3/8" Nut
5.	12V66	5/16" x 3/4" Bolt
6.	T116	5/16" Nut
7.	3G22	5/16" x 1-3/4" Roll Pin
8.	S411	Secondary Drive
9.	X97	Hair Pin
10.	G110	3/8" x 3/4" Bolt
11.	B68	3/8" Lockwasher
12.	X67	3/8" Flat Washer
13.	---	5/16" Set Screw
14.	S410	Primary Drive
15.	S386	Motor Unit Mount Pin
16.	S384	Hydraulic Motor Mount
17.	DF1A	Hydraulic Motor (Super 7+4)
*	ST88	Hydraulic Motor (Twin Auger)
18.	DF7	1/2" Close Nipple
19.	DF15	Flow Control Valve
20.	HE58	1/2" Street Elbow
21.	DF17	1/2" x 2" Pipe Nipple
22.	DF8	1/2" Pipe Tee
23.	DF18	1/2" Check Valve
24.	S395	Hydraulic Hose - 10-1/2"
25.	S388	Extra Unit Drive Kit
26.	S412	Drive Kit (complete Super 7+4)
27.	ST90	Drive Kit (complete - Twin Auger)